

---

# GuitarPCB Presents

## NostalgiTone Harbinger Fuzz Single

---

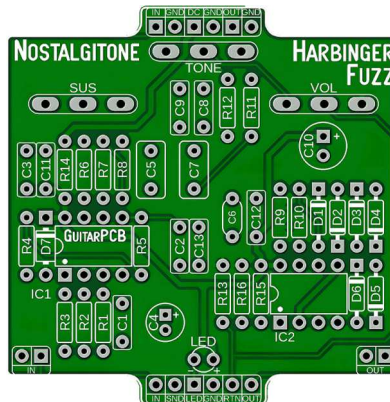
Are you ready to elevate your game? The **NostalgiTone Harbinger Fuzz** is here to give you the ultimate sonic experience.

**Harbinger Fuzz:** Drawing inspiration from the legendary **Opamp Big Muff**, this **Fuzz circuit** is crafted to deliver the rich, saturated tones that defined the heavy, intense sounds of the '90s and 2000s. Perfect for **doom metal, stoner rock, grunge**, and more, it unleashes massive, raw-edged tones that push riffs to new levels of power. With highly responsive controls, you can shape a wide spectrum of tones, from thick, velvety walls of fuzz to tight, gritty textures. This circuit enriches your music with added depth, texture, and layers of harmonic complexity.

🔧 **Easy Wiring:** No more daunting wiring hassles! Say hello to beauty under the hood. Enjoy all-analog tones with modern features that will slip into your gig bag, ensuring you are always ready to unleash your musical magic.

🔧 **Available Components:** We recognize the hurdles of component availability. Rest assured, we've carefully selected components for the **NostalgiTone** series currently available from today's popular vendors.

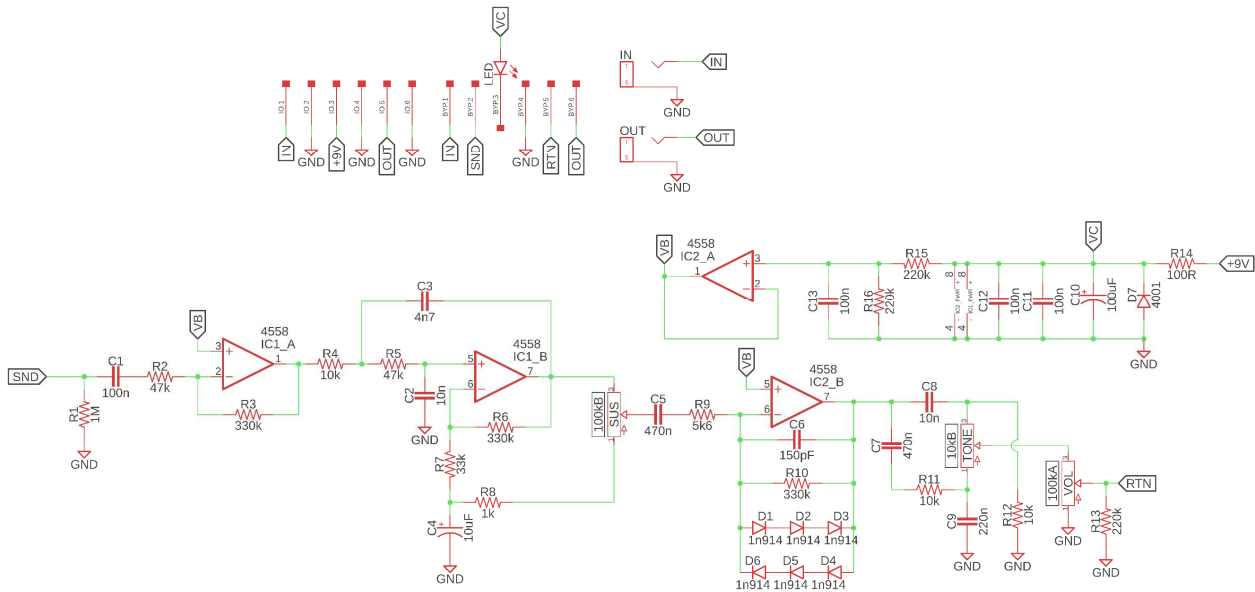
Do not settle for the ordinary when you can have extraordinary. Elevate your tone with the **NostalgiTone** series singles from GuitarPCB. Get yours today and discover a world of sonic possibilities like never before!



**Mainboard Dimensions – 2.10" x 2.12" – Perfectly sized for a 1590B or 125B enclosure**

**Included with each PCB purchase. – (1) Mainboard, (1) wiring board, and (1) ribbon cable.**

## Schematic:



## Bill of Materials:

Part	Value	Part	Value	Part	Value	Part	Value
R1	1M	R11	10k	C4	10uF	SUS	B100K
R2	47k	R12	10k	C5	470n	TONE	B10k
R3	330k	R13	220k	C6	150pF	VOL	A100K
R4	10k	R14	100R	C7	470n		
R5	47k	R15	220k	C8	10n	D1 - D6	1N914
R6	330k	R16	220k	C9	220n	D7	1N4001
R7	33k			C10	100uF	IC1 - IC2	RC4558
R8	1k	C1	100n	C11	100n		
R9	5k6	C2	10n	C12	100n		
R10	330k	C3	4n7	C13	100n	LED	Status
						*CLR	1k8 - 4k7

## Build Notes:

Included with the purchase of the main PCB board will be (1) standard foot switch wiring board (6 pins), and (1) 6 pin ribbon cable. This simplifies the wiring process while keeping troubleshooting and noise to a minimum.

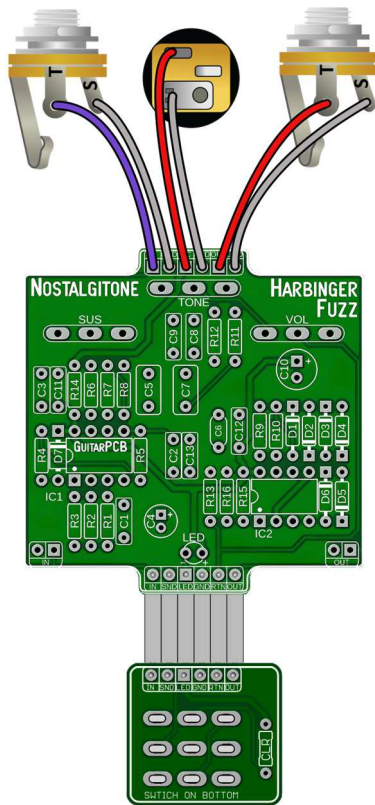
Note the extra IN / Out pads located at the bottom of the PCB which are conveniently placed if you wish to use side jacks.

Use a standard 6-pin ribbon cable to connect the foot switch wiring board with the main board. The 3PDT wiring board contains an onboard (CLR) current limiting resistor. This is to protect and adjust the brightness of their corresponding main board status LEDs. A value of 1k8 to 4k7 may be used.

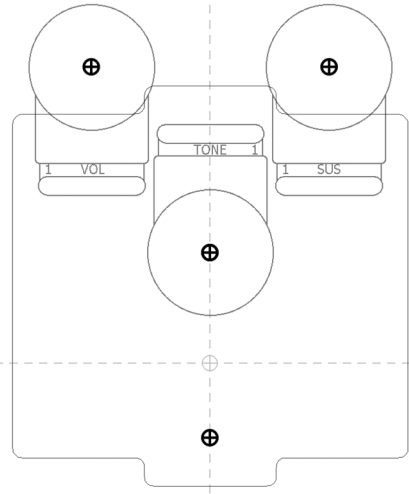
**IC1** – Use a RC4558 however feel free to experiment with OPA2134PA, TL072, NE5532, RC4558, or LM833.

**\* CLR x1** - Each wiring board requires an onboard (CLR) current limiting resistor. This is for the main board status LEDs. A 1k8 (Bright) value to 4k7 (Dim) may be used. A main Status LED is to show the active status.

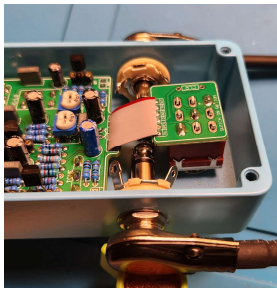
Wiring Diagram



Generic Drill Template



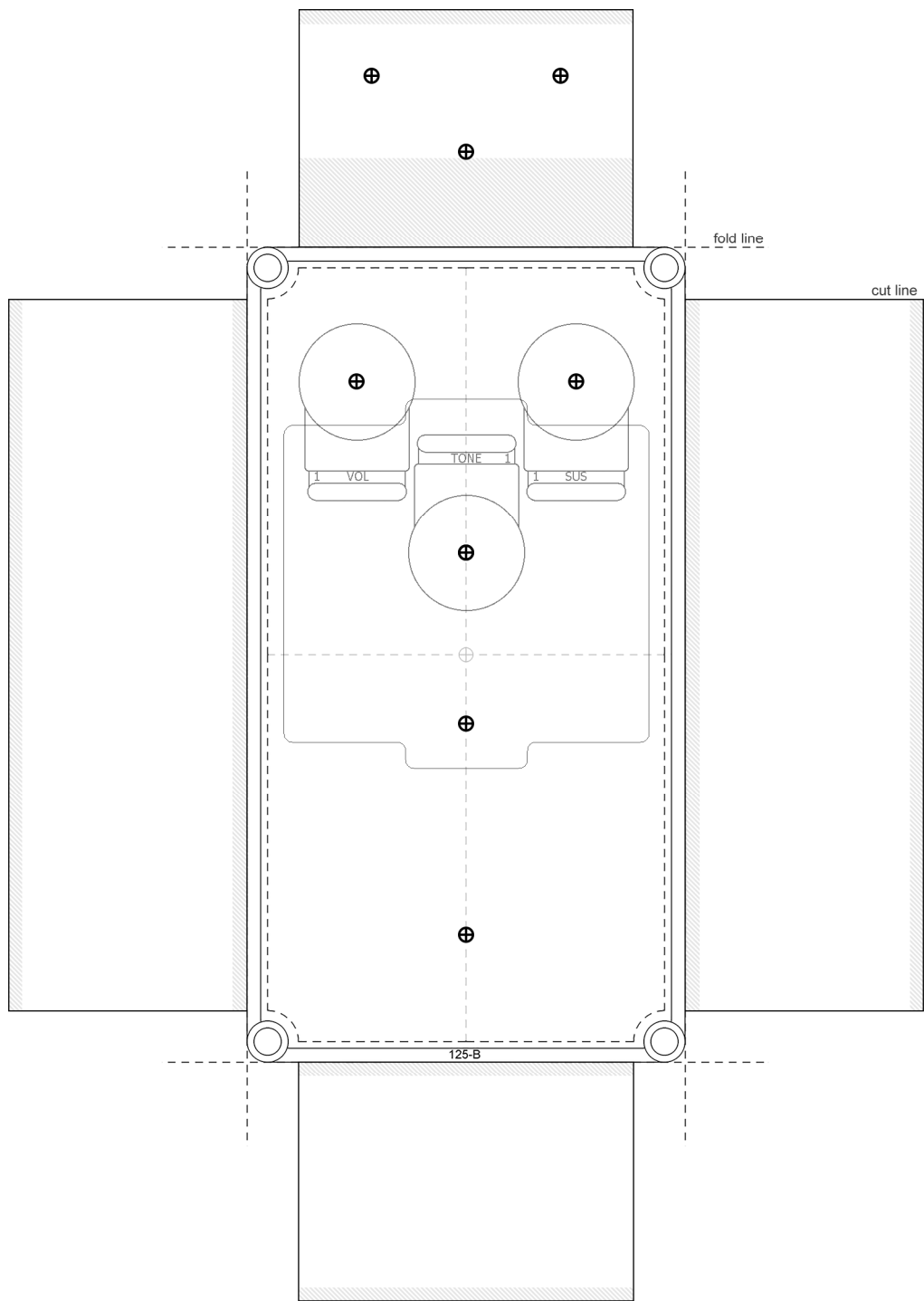
When using 1590B enclosures, it is best to mount the ribbon cable on top of the main board/3PDT wiring board instead of underneath. This is because the enclosure's compact size restricts space for the side jack Input and Output plugs.



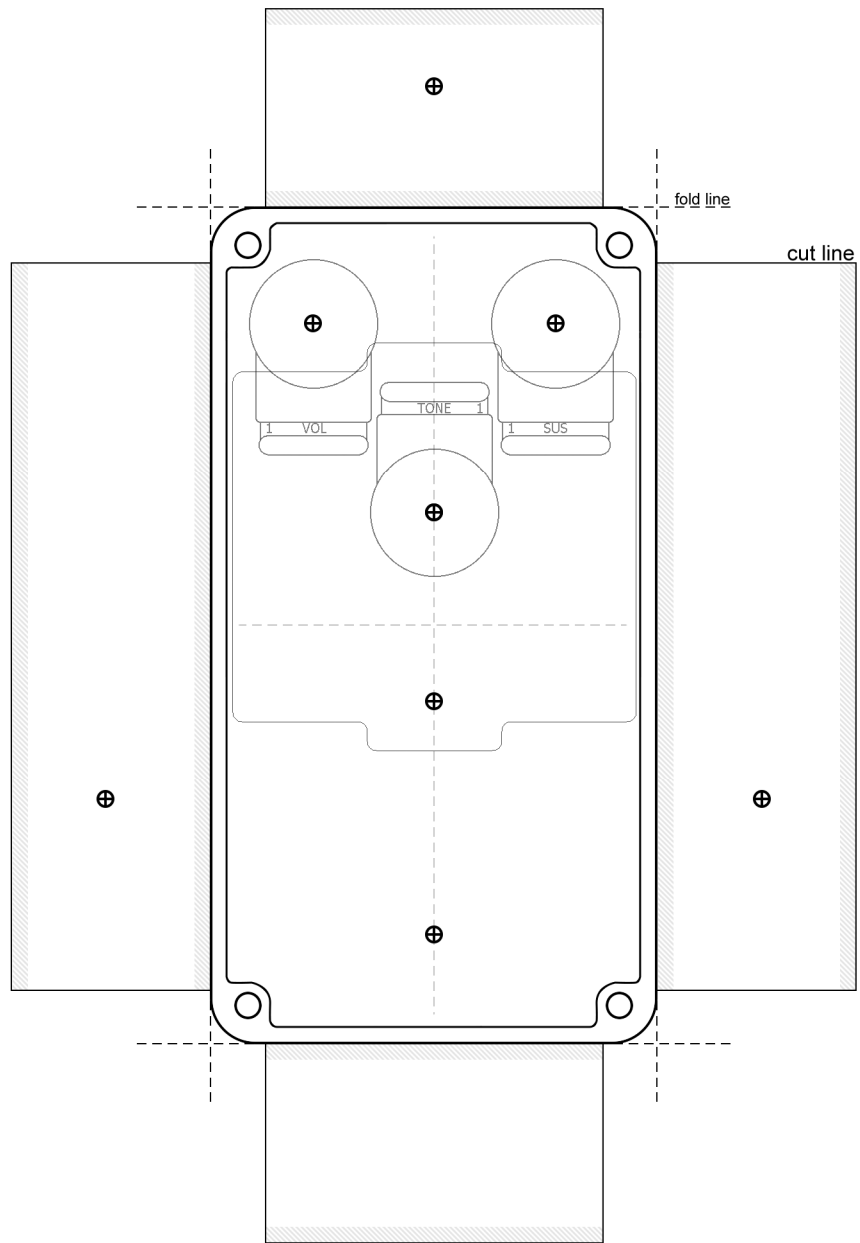
The full-size drill templates for 125B and 1590B enclosures can be found on the following two pages. Additionally, you can find a link to Tayda's pre-drilled enclosures on the shop page at GuitarPCB.com.



**This Build Document, PCB, Artwork and Schematic image are property of @GuitarPCB.com**  
All copyrights, trademarks and artworks remain the property of their owners.  
Any company or product names used are for identification and educational purposes only.  
GuitarPCB is in no way affiliated with any said companies and are not to be misrepresented.



**125B Drill Template**



**1590B Drill Template**