
GuitarPCB Presents

NostalgiTone Doomstortion Single

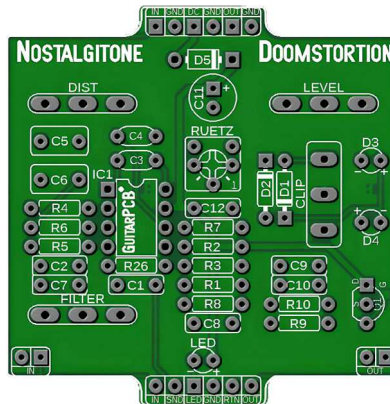
Are you ready to elevate your game? The **NostalgiTone Doomstortion** is here to give you the ultimate sonic experience.

Doomstortion: Based on the iconic Rat, the Doomstortion circuit is an excellent choice for any Rat style guitar tones, offering gritty sounds associated with heavy riffs. With a "filter" knob for precise tone shaping, it is versatile enough for both rhythm and lead playing. It adds extra bite, letting you dial in a wide range of sounds for classic metal or roll it back for the sludgy tones characteristic of Doom metal.

🔧 **Easy Wiring:** No more daunting wiring hassles! Say hello to beauty under the hood. Enjoy all-analog tones with modern features that will slip into your gig bag, ensuring you are always ready to unleash your musical magic.

🔧 **Available Components:** We recognize the hurdles of component availability. Rest assured, we've carefully selected components for the **NostalgiTone** series currently available from today's popular vendors.

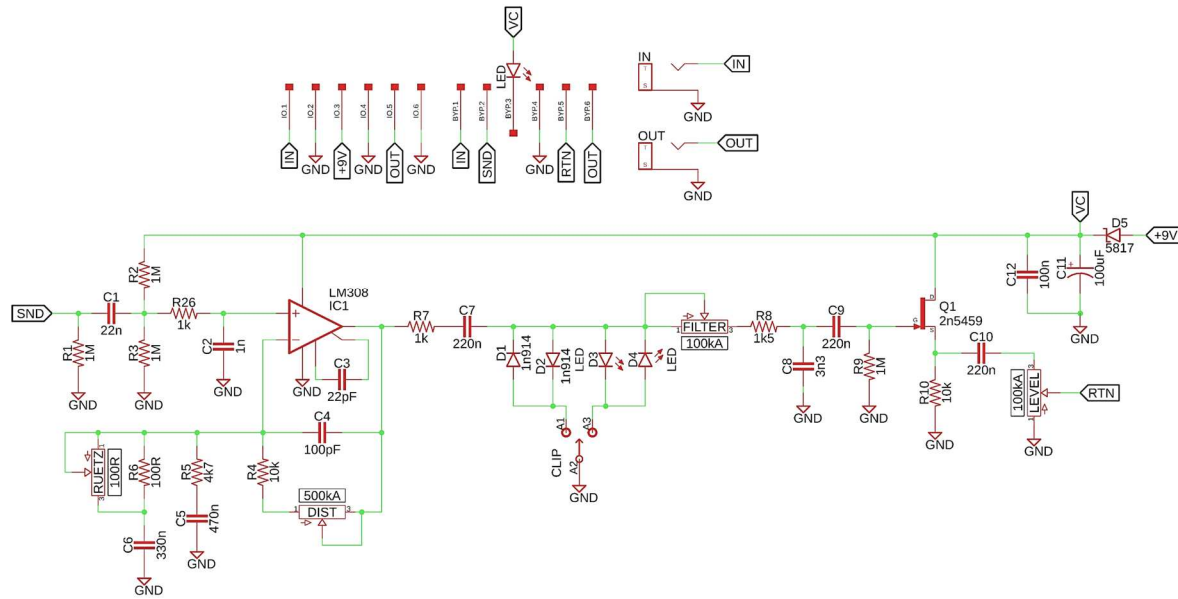
Do not settle for the ordinary when you can have extraordinary. Elevate your tone with the **NostalgiTone** series singles from GuitarPCB. Get yours today and discover a world of sonic possibilities like never before!



Mainboard Dimensions – 2.10" x 2.12" – Perfectly sized for a 1590B or 125B enclosure

Included with each PCB purchase. – (1) Mainboard, (1) wiring board, and (1) ribbon cable.

Schematic:



Bill of Materials:

Part	Value	Part	Value	Part	Value	Part	Value	Part	Value
R1	1M	R9	1M	C5	470n	D1	1N914	LEVEL	A100K
R2	1M	R10	10k	C6	330n	D2	1N914	DIST	A500K
R3	1M	R26	1k	C7	220n	D3	LED	FILTER	A100K
R4	10k			C8	3n3	D4	LED	CLIP	On/Off/On
R5	4k7	C1	22n	C9	220n	D5	1N5817		
R6	100R	C2	1n	C10	220n			IC1	OP07
R7	1k	C3	22pF	C11	100uF			LED	Status
R8	1k5	C4	100pF	C12	100n	Q1	2N5458	*CLR x1	1k8 - 4k7

Build Notes:

Included with the purchase of the main PCB board will be (1) standard foot switch wiring board (6 pins), and (1) 6 pin ribbon cable. This simplifies the wiring process while keeping troubleshooting and noise to a minimum.

Note the extra IN / Out pads located at the bottom of the PCB which are conveniently placed if you wish to use side jacks.

Use a standard 6-pin ribbon cable to connect the foot switch wiring board with the main board. The 3PDT wiring board contains an onboard (CLR) current limiting resistor. This is to protect and adjust the brightness of their corresponding main board status LEDs. A value of 1k8 to 4k7 may be used.

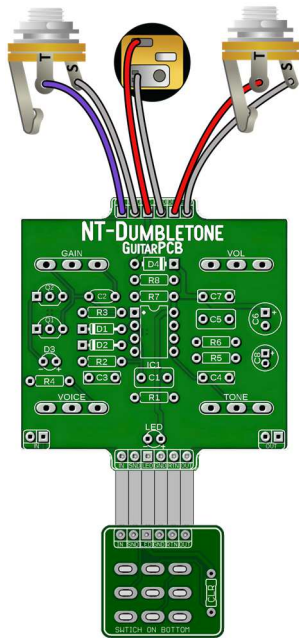
IC1 – Use an OP07 or “genuine” LM308.

Clipping Switch SPDT On/Off/On Position 1 = Stock pair Silicon, Open (No Diodes) Boosted Tone, Position 2 = LED pair Mod (louder than Silicon)

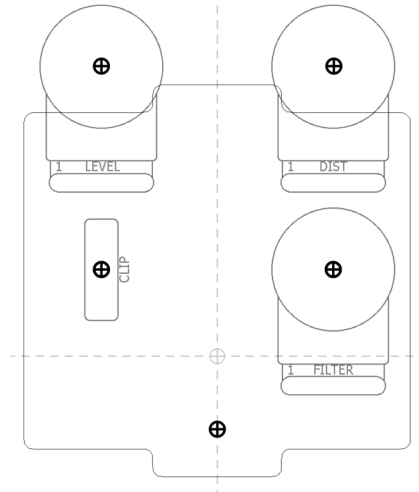
D1 – D4 Clipping Diodes – Stock D1 + D2 use 1N914 or 1N4148. For D3 = D4 Mod use Red LEDs or experiment with other colors like Violet.

* **CLR x1** - Each wiring board requires an onboard (CLR) current limiting resistor. This is for the main board status LEDs. A 1k8 (Bright) value to 4k7 (Dim) may be used. A main Status LED is to show the active status.

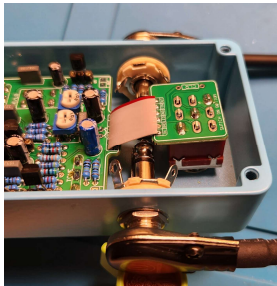
Wiring Diagram



Generic Drill Template



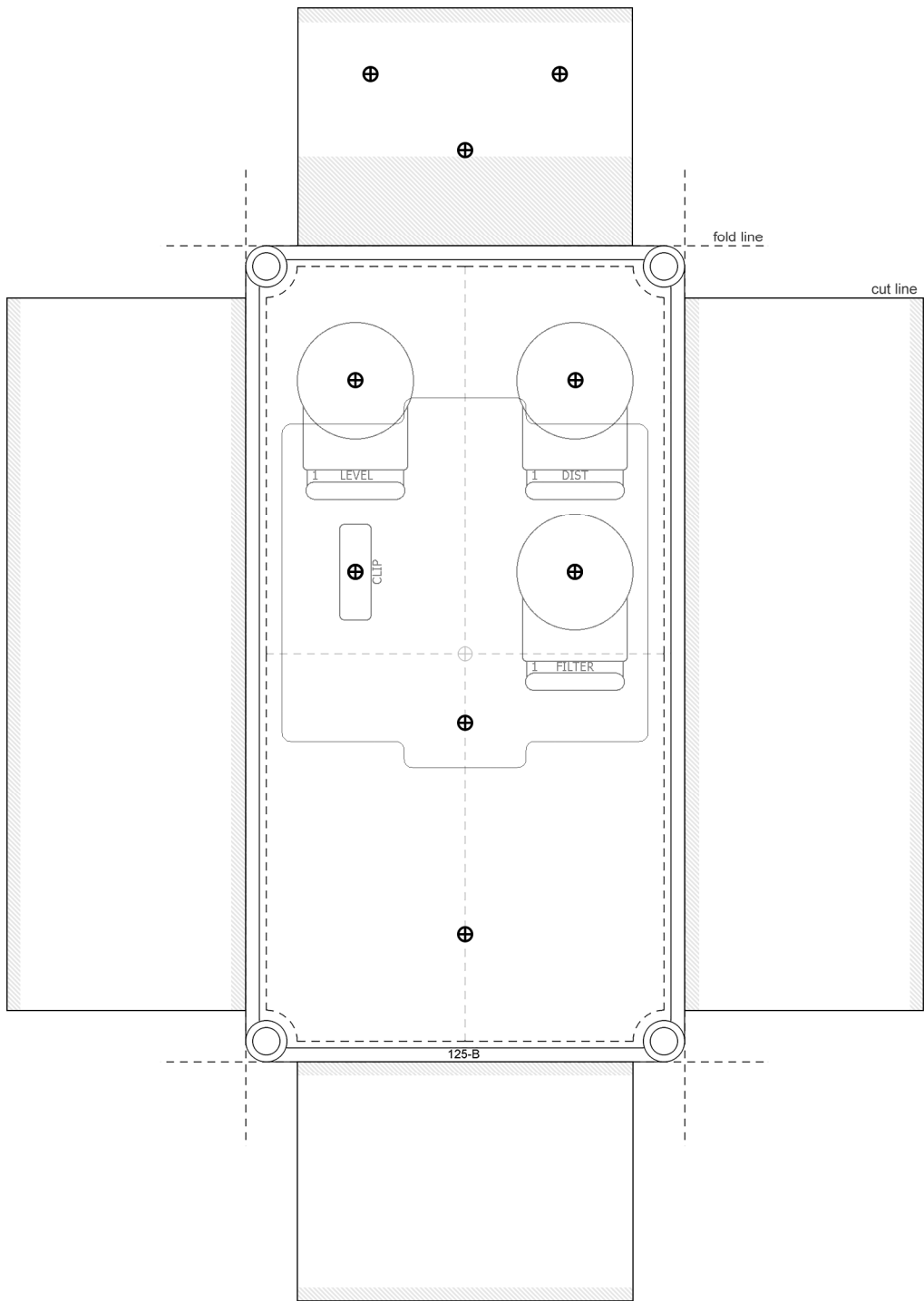
When using 1590B enclosures, it is best to mount the ribbon cable on top of the main board/3PDT wiring board instead of underneath. This is because the enclosure's compact size restricts space for the side jack Input and Output plugs.



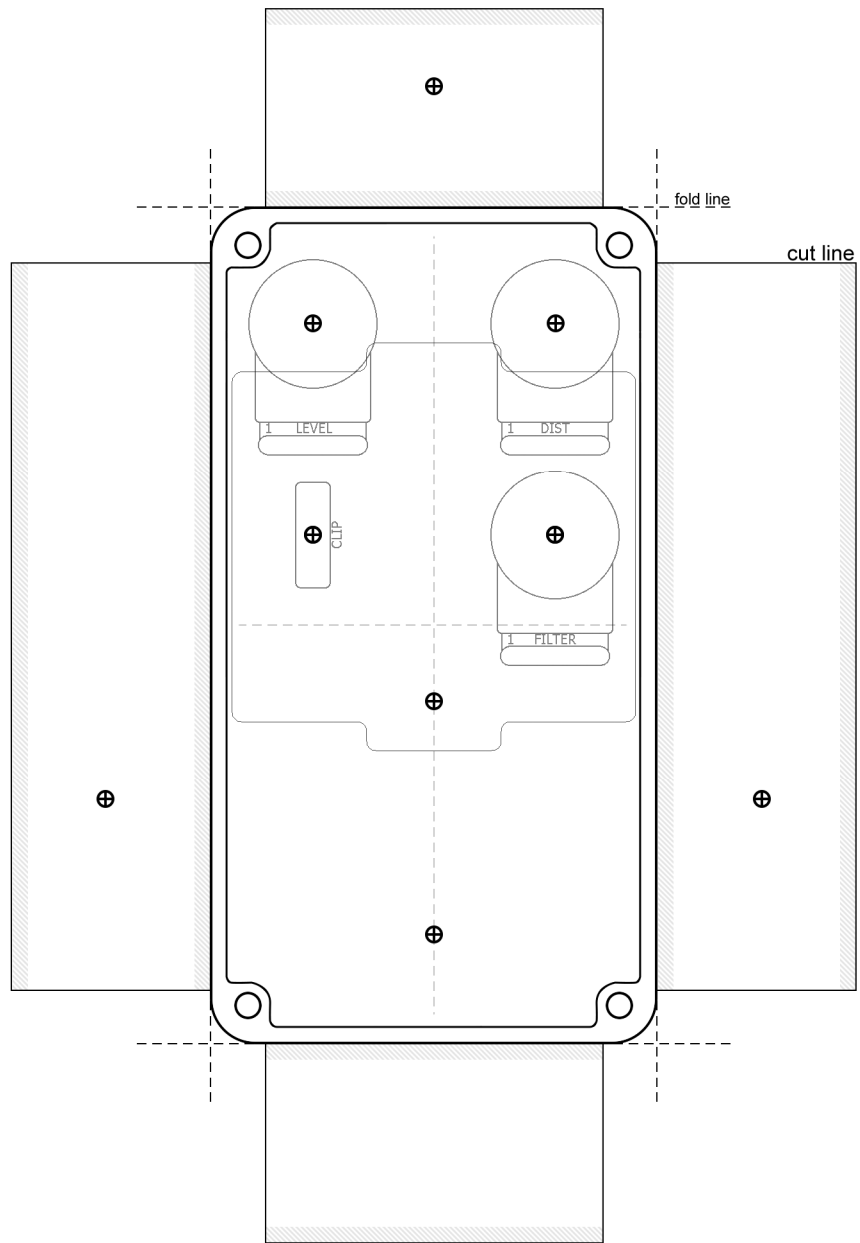
The full-size drill templates for 125B and 1590B enclosures can be found on the following two pages. Additionally, you can find a link to Tayda's pre-drilled enclosures on the shop page at GuitarPCB.com.



This Build Document, PCB, Artwork and Schematic image are property of ©GuitarPCB.com
All copyrights, trademarks and artworks remain the property of their owners.
Any company or product names used are for identification and educational purposes only.
GuitarPCB is in no way affiliated with any said companies and are not to be misrepresented.



125B Drill Template



1590B Drill Template