

---


# GuitarPCB Presents


## NostalgiTone PreAmp Boost Single

---

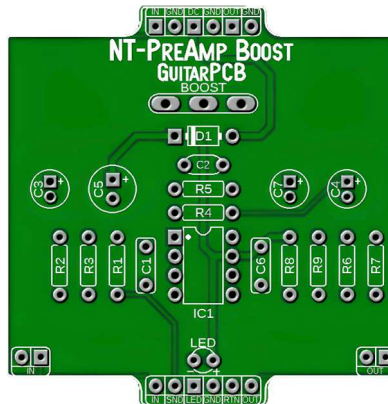
Are you ready to elevate your game? The **NostalgiTone PreAmp Boost** is here to give you the ultimate sonic experience.

**PreAmp Boost:** This versatile Boost circuit provides up to +26dB of clean gain with a single control, making it perfect for enhancing leads, balancing guitar outputs (like humbuckers and single-coils), or adding extra dynamics to your sound. At lower settings, it functions as an effective buffer. When paired with any preamp, the Boost adds additional gain and saturation, offering expanded tonal options and flexibility to fit any setup.

 **Easy Wiring:** No more daunting wiring hassles! Say hello to beauty under the hood. Enjoy all-analog tones with modern features that will slip into your gig bag, ensuring you are always ready to unleash your musical magic.

 **Available Components:** We recognize the hurdles of component availability. Rest assured, we've carefully selected components for the **NostalgiTone** series currently available from today's popular vendors.

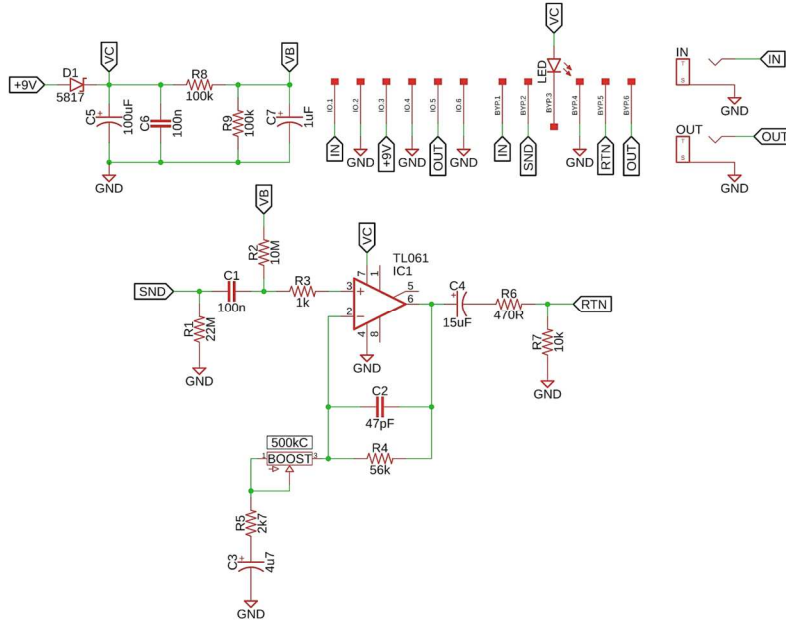
Do not settle for the ordinary when you can have extraordinary. Elevate your tone with the **NostalgiTone** series singles from GuitarPCB. Get yours today and discover a world of sonic possibilities like never before!



**Mainboard Dimensions – 2.10" x 2.12" – Perfectly sized for a 1590B or 125B enclosure**

**Included with each PCB purchase. – (1) Mainboard, (1) wiring board, and (1) ribbon cable.**

## Schematic:



## Bill of Materials:

Part	Value	Part	Value	Part	Value
R1	22M	R9	100k	C7	1uF
R2	10M				
R3	1k	C1	100n	D1	1N5817
R4	56k	C2	47pF	IC1	TL061 / 71
R5	2k7	C3	4u7		
R6	470R	C4	15uF	BOOST	C500K
R7	10k	C5	100u	LED	Status
R8	100k	C6	100n	*CLR x 1	1k8 - 4k7

## Build Notes:

Included with the purchase of the main PCB board will be (1) standard foot switch wiring board (6 pins), and (1) 6 pin ribbon cable. This simplifies the wiring process while keeping troubleshooting and noise to a minimum.

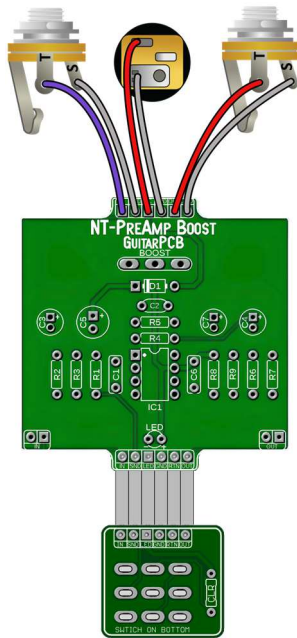
Note the extra IN / Out pads located at the bottom of the PCB which are conveniently placed if you wish to use side jacks.

Use a standard 6-pin ribbon cable to connect the foot switch wiring board with the main board. The 3PDT wiring board contains an onboard (CLR) current limiting resistor. This is to protect and adjust the brightness of their corresponding main board status LEDs. A value of 1k8 to 4k7 may be used.

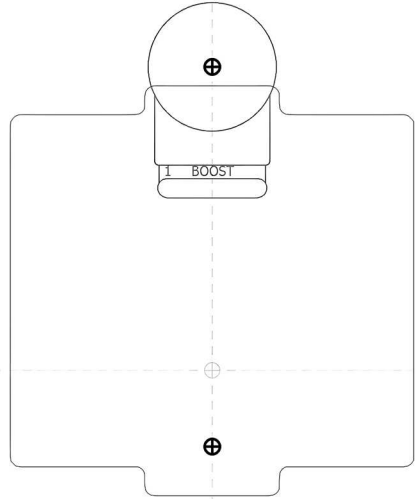
**IC1** – The original circuit used a TL061 for better battery efficiency, but you can substitute it with a TL071 if preferred.

**\* CLR x1** - Each wiring board requires an onboard (CLR) current limiting resistor. This is for the main board status LEDs. A 1k8 (Bright) value to 4k7 (Dim) may be used. A main Status LED is to show the active status.

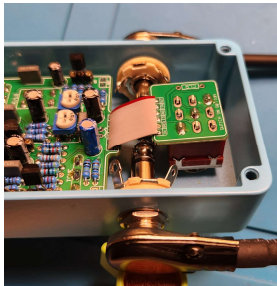
Wiring Diagram



Generic Drill Template



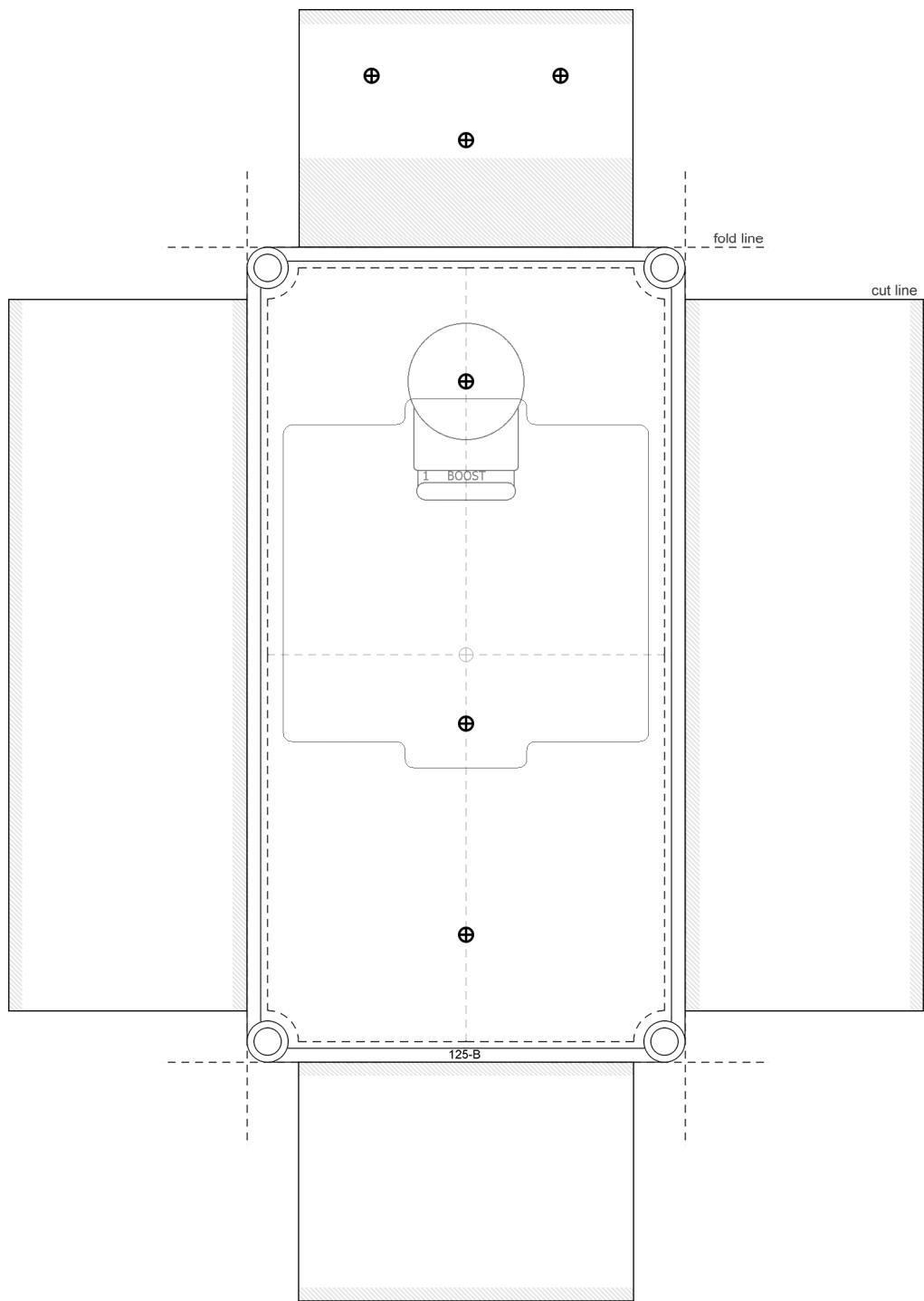
When using 1590B enclosures, it is best to mount the ribbon cable on top of the main board/3PDT wiring board instead of underneath. This is because the enclosure's compact size restricts space for the side jack Input and Output plugs.



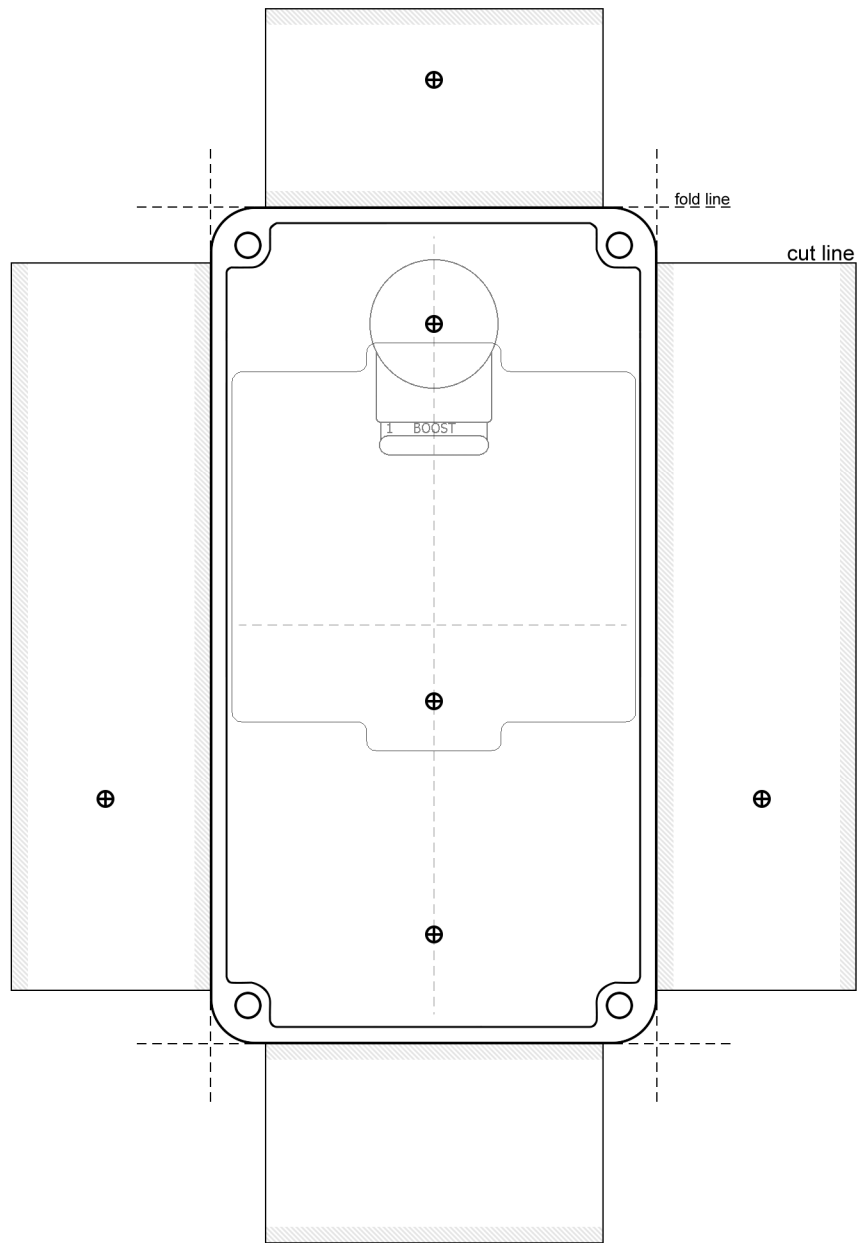
The full-size drill templates for 125B and 1590B enclosures can be found on the following two pages. Additionally, you can find a link to Tayda's pre-drilled enclosures on the shop page at GuitarPCB.com.



***This Build Document, PCB, Artwork and Schematic image are property of ©GuitarPCB.com***  
*All copyrights, trademarks and artworks remain the property of their owners.*  
*Any company or product names used are for identification and educational purposes only.*  
*GuitarPCB is in no way affiliated with any said companies and are not to be misrepresented.*



**125B Drill Template**



**1590B Drill Template**