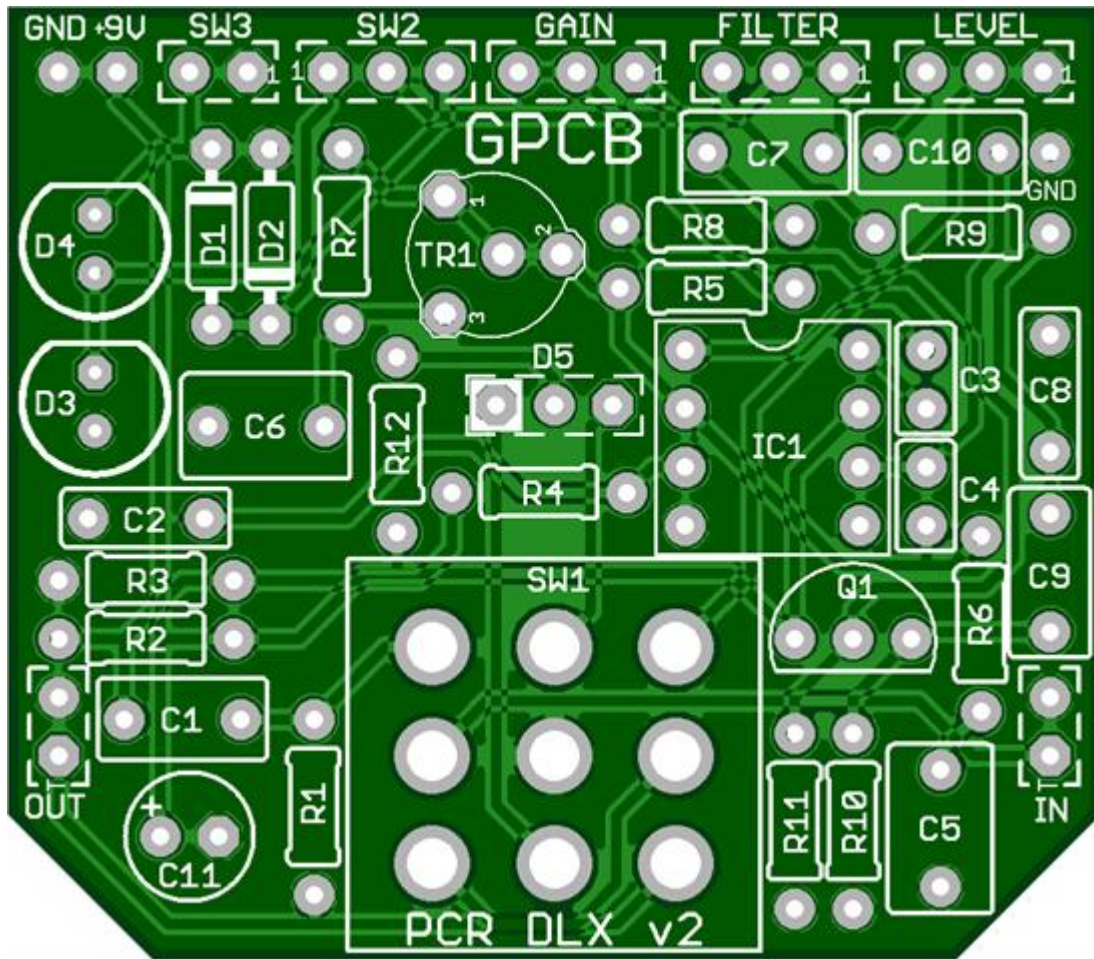


RATT DELUXE

A modified ProCo Rat™. Board Dimensions are 1.88 by 1.63 inch or 47.6 by 41.4mm



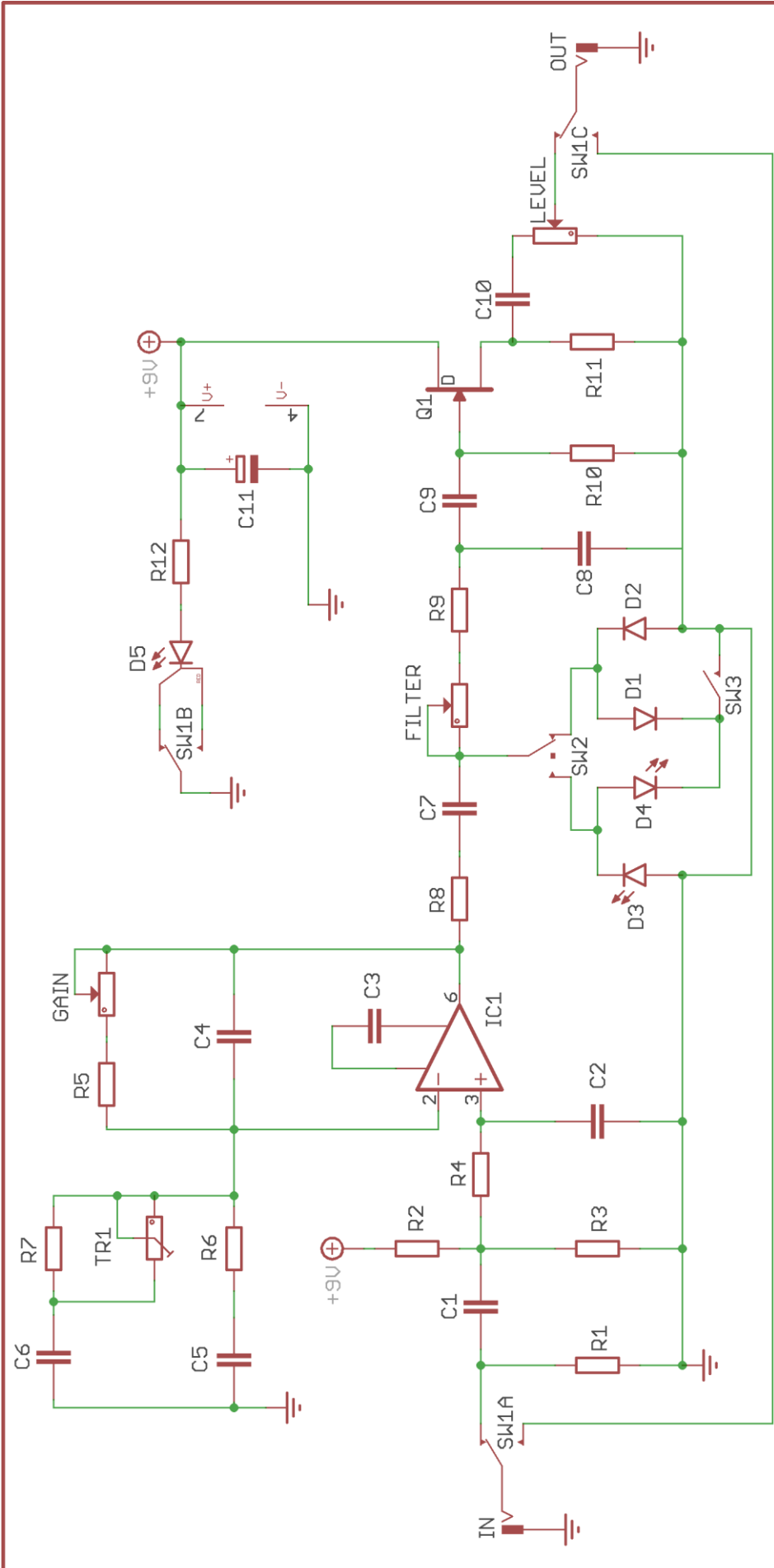
Part#	GPCB Values	Original
R1	1M	1M
R2	1M	1M
R3	1M	1M
R4	1k	1k
R5	10k*	
R6	4k7	560R
R7	100R*	47R
R8	1k	1k
R9	1k5	1k5
R10	1M	1M
R11	10k	10k
R12	1k8*	

Part#	GPCB Values	Original
C1	220n	22n
C2	10n	1n
C3	22p*	30p
C4	100p	100p
C5	470n	4μ7
C6	330n	2μ2
C7	220n	4μ7
C8	3n3	3n3
C9	220n	22n
C10	220n	1μ
C11	47μ	100μ
TR1	100R*	

Part#	GPCB Value	Original
D1	1N914	1N4148
D2	1N914	1N4148
D3	LED	
D4	LED	
D5	Bi-Color CA LED*	
IC1	LM308	LM308
Q1	2N5459	2N5458
GAIN	A500k	A100k
FILTER	B100k	A100k
LEVEL	A100k	A100k
SW2	SPDT ON-OFF-ON	
SW3	SPST	

* See Text

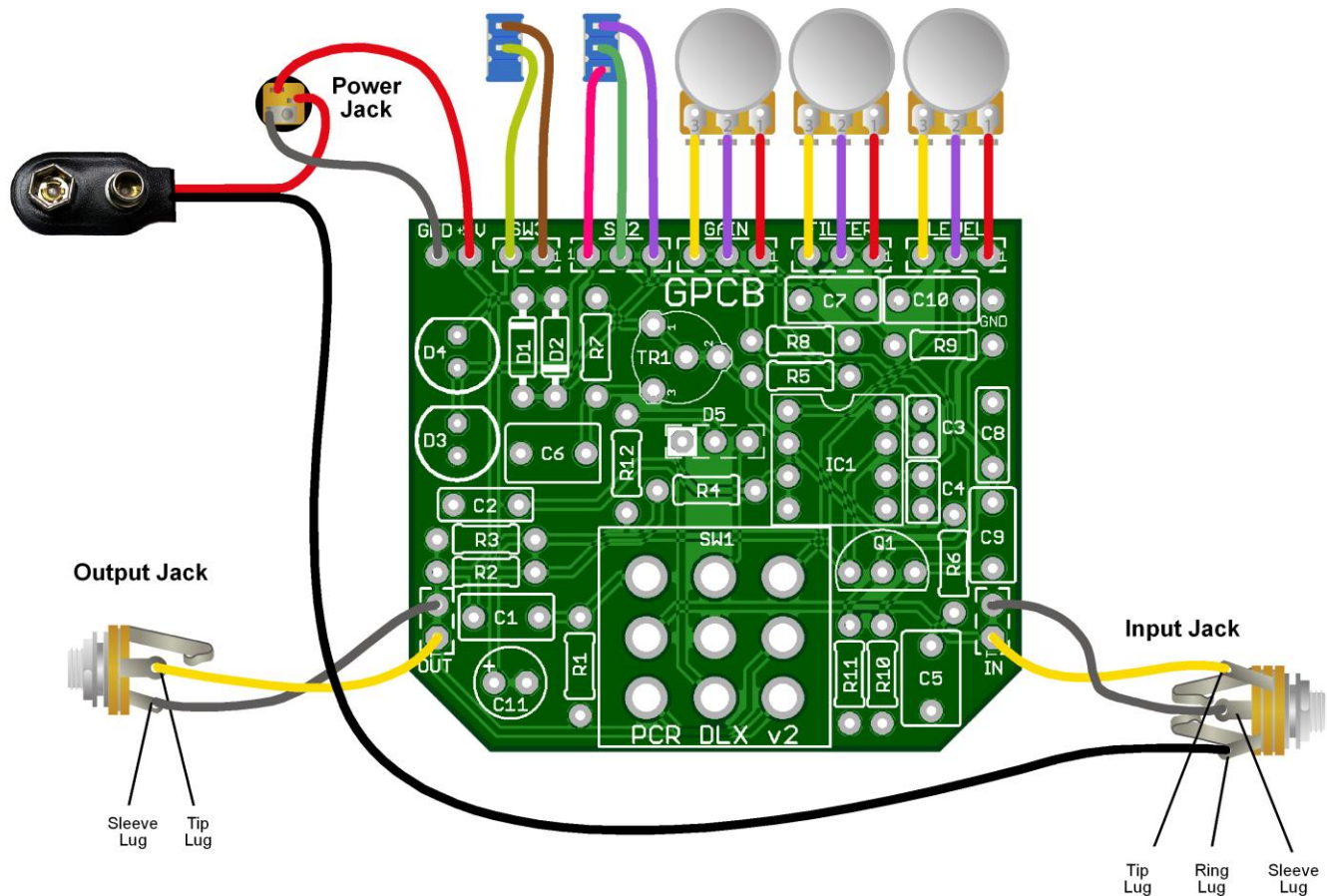
The original values for the ProCo Rat are given in orange and can be used instead of the modified version. Care must be taken when installing electrolytic capacitors—polarity must be observed.



PCR Deluxe v2	BRUCE R
FILE: Rat_v2	
DATE: 11/27/2012 1:13:16 AM	

There are a few additional features that were not present on version 1 of this circuit board. There are a few additional features that were not present on version 1 of this circuit board. Switch 3 was added to allow diode/LED clipping of just half of the signal. For now, you must jumper the pads for SW3. Please check the Layout Gallery in the future for Mods involving the SW3 pads. Integrated 3PDT switch pads are now on-board, which may require some special planning building your pedal (see section near the end of this document). This version also includes pads for an optional bi-color status Common Anode LED, whereas the previous version used a single color LED only. See the Status LED section later in this document for more information.

WIRING DIAGRAM



MODS/TWEAKS

As quoted from Tonmann's documentation for version 1 of this circuit board, there are various tweaks that can be applied to the circuit:

R5: This has been added to prevent the Gain pot from being turned completely off. This is useful in that you can set the minimum gain (via the value of R5) when the Gain pot is at 0% rotation, this will give more usage out of the gain pot itself. There are two methods to adjust the value of R5 for minimum gain:

Method 1:

- Socket R5 and try different values – 10k Ω is suggested as a starting point.

Method 2 (The second method is a bit more involved):

- Don't install R5, wire lugs 2 & 3 of the Gain pot as usual.
- Wire lug 1 of the Gain pot to the right hand (from the layout diagram) pad of R5
- Set the Gain pot to give the desired minimum gain
- Remove the wire from the right hand pad of R5 and measure the resistance between lugs 1 & 2
- Choose the nearest standard value for R5 and solder it to the board.

R7 – TR1: This is a version of the Ruetz mod.

I don't think this mod really warrants an external pot so I have used an on board trim pot. If you want to make this mod with an external pot, don't install the trim pot and wire the external pot to the respective pads.

Although a fuller explanation of what this mod does will be given on request on the forum at www.guitarpcb.com, it basically reduces the high frequencies a lot less than the bass and mid frequencies when the gain pot is turned down.

The best results will be obtained when the R7 – TR1 value is between 0Ω (a wire jumper) and 100Ω, there are several methods to achieve this:

- Socket R7 and don't install the trim pot. Try different values for R7 ranging from a jumper up to 100Ω. This is an unsatisfactory method as many people won't have (enough) low-value resistors in their parts bin.
- Install the trim pot and don't install R7, set the trim pot to taste. Better than the previous method but it is sometimes difficult to find 100Ω trim pots – Small Bear Electronics does carry them, <http://www.smallbearelec.com/servlet/Detail?no=1101>
- Using a 1kΩ trim pot (which is more obtainable) in conjunction with R7 at 120Ω or 100Ω will yield the desired results.

IC1 – C3: If you are using the suggested LM308 for the op amp, C3 should be installed, the value of this capacitor determines the roll-off of high frequencies, small values roll off less high frequency than larger values. The original 30pF capacitor may be harder (more expensive) to find, using a 33pF capacitor will make little difference. Although I have suggested a value of 22pF, different values can be tried, a "socket and see" approach. I would suggest values between 10pF and 100pF. Other types of mono op amp can be tried. TL071 etc...

Diodes: There are many different types and combinations of diodes that can be tried, the fast switching diode family 1N4148, 1N4448, 1N914, 1N916 etc can be interchanged with no noticeable difference, the actual measured forward voltage of each diode is probably more important.

LED: Apart from the standard red clipping LEDs, other colors could be tried for slightly different results.

SW2: Using a SPDT On – On switch will only allow you to choose between either sets of diodes. A SPDT On – Off – On switch will allow you to remove both sets of diodes from the circuit (when the switch is in the middle position) and allow op amp clipping as an option.

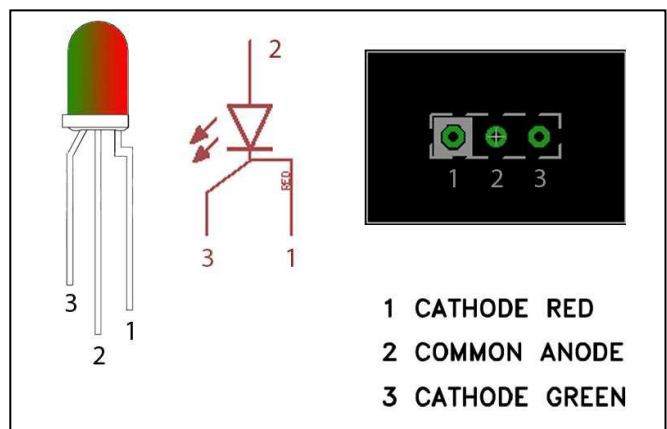
Q1: The original 2N5458 JFET in conjunction with R11 at 10kΩ will set the bias point at the source of Q1 to around 2.2V. This enough when using the diodes to clip the signal but not enough when using op amp clipping, Q1 will clip one half of the output signal (this may or may not be desirable). Using a 2N5459 should increase the bias voltage to over 3V – impossible to predict due to variance in JFET characteristics. I would suggest using the 2N5459 and measuring the voltage at the source pin, anything more than about

3.2V is good, if the voltage is lower, increasing the value of R11 will raise the bias voltage.

STATUS LED

D3 is a common anode bi-color LED. The diagram at right shows the pin-out, schematic symbol and pads for a common anode LED. The pin-out for the bi-color LED is as follows:

1st Color Cathode	90 degree bend in the lead
Common Anode	Middle lead
2nd Color Cathode	45 degree bend in the lead



When connected correctly the LED will light red when power is applied and the circuit is in bypass mode. The LED will light green when in effects mode.

Currently, Red/Green LED's are available for a reasonable price at GuitarPCB.com. Other bi-color common anode LED's are available on the market, and other colors may be offered in the GuitarPCB.com PCB Shop at a future date.

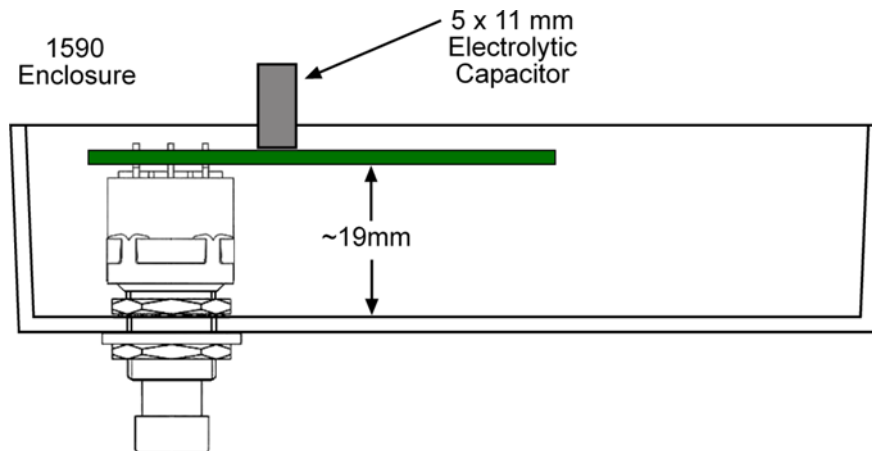
You may also decide to use a single-color standard LED. If you choose to do this instead of a bi-color LED, connect the Anode to pad 2, and the cathode to pin 3. The LED will light when the pedal is on, and will be off when the pedal is in bypass mode. The Current-Limiting Resistor (R12) may need to be adjusted to accommodate different LED's to adjust the LED brightness. For the GuitarPCB.com Red/Green common anode LED's, the suggested range is 1k (bright) to 2k2 (dim). For standard single-color red, green or yellow LED's, 2k2 – 4k7 is the appropriate range.

If you decide to use a bi-color LED, you need to be aware of potential issues if using a metallic LED bezel. These bezels come with 2-lead LED plugs, which not work well for 3-lead LEDs. We recommend the following potential solutions:

- 1) Do not use a bezel. You can drill a 3mm or 5mm hole (depending on the size of your LED) in your enclosure, and then use epoxy or hot-glue gun to secure the LED in the interior of the pedal if the leads are not securing the LED.
- 2) Use a plastic bezel. Since plastic is non-conductive it will not cause a short.
- 3) Insulate the bi-color LED leads. This is quite easy. Just take some ~18-22 gauge wire, strip off a piece of insulation, and slip it onto the 2 outside LED leads that may short against the LED bezel. You can also use small diameter heat-shrink tubing to accomplish the same thing. If needed, secure the back of the LED using hot glue.

Plan Your Enclosure!

If you use a 1590A, 1590B, 1290NS or any other shallow enclosure, you must plan carefully. Unless you use a very deep enclosure, you will need to mount the 3PDT switch on the same side as the components, so that when you insert the populated board into the enclosure, you are looking at the back of the board, not the component side. Otherwise, you may end up with a problem with components sticking too high out of the enclosure, which will prevent the back of the enclosure from being screwed on (see the problem illustrated below). You can also try mounting short items on the top of the board, and put the 3PDT and all taller components on the underside, however it is **critical** that pin orientation be correct on components like integrated circuits, transistors, diodes, polarized caps, etc. Be sure to drill your enclosure so that other components such as audio jacks and pots do not interfere with board components. Plan carefully, and consider using a deep enclosure!



This document, PCB Artwork and Schematic Artwork © GuitarPCB.com. Version 1 Schematic and PCB design by Tonmann. Version 2 Schematic (based on version 1) and v2 PCB by Bruce R. Documentation by Bruce R and Tonmann. Use of PCB and schematic artwork for any purpose other than to build a board purchased from GuitarPCB.com without written permission is prohibited. Distribution of this document is prohibited without written consent. Trademarked names are property of their respective owners.