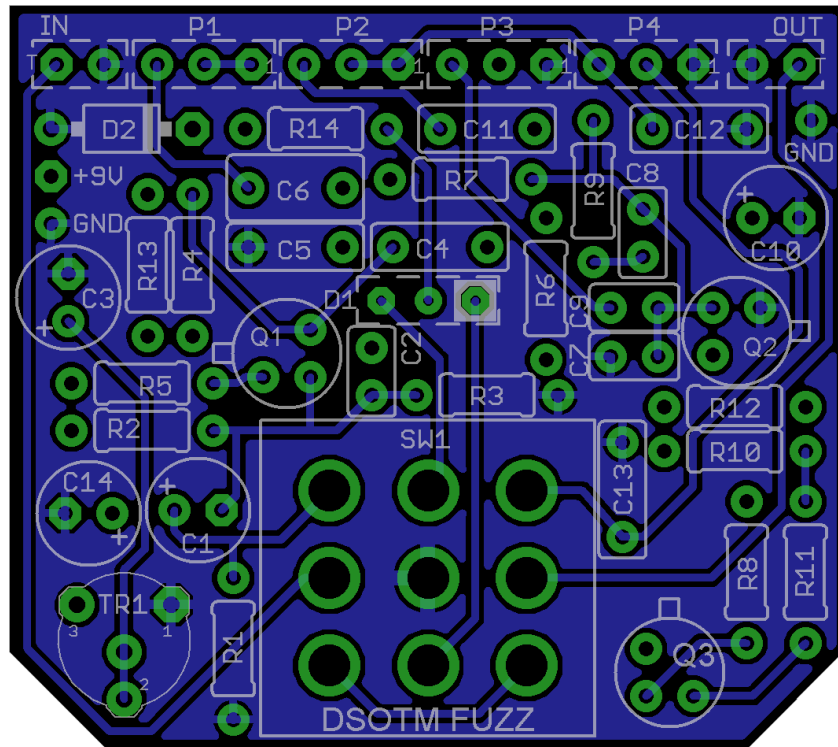


DSOTM FUZZ v2

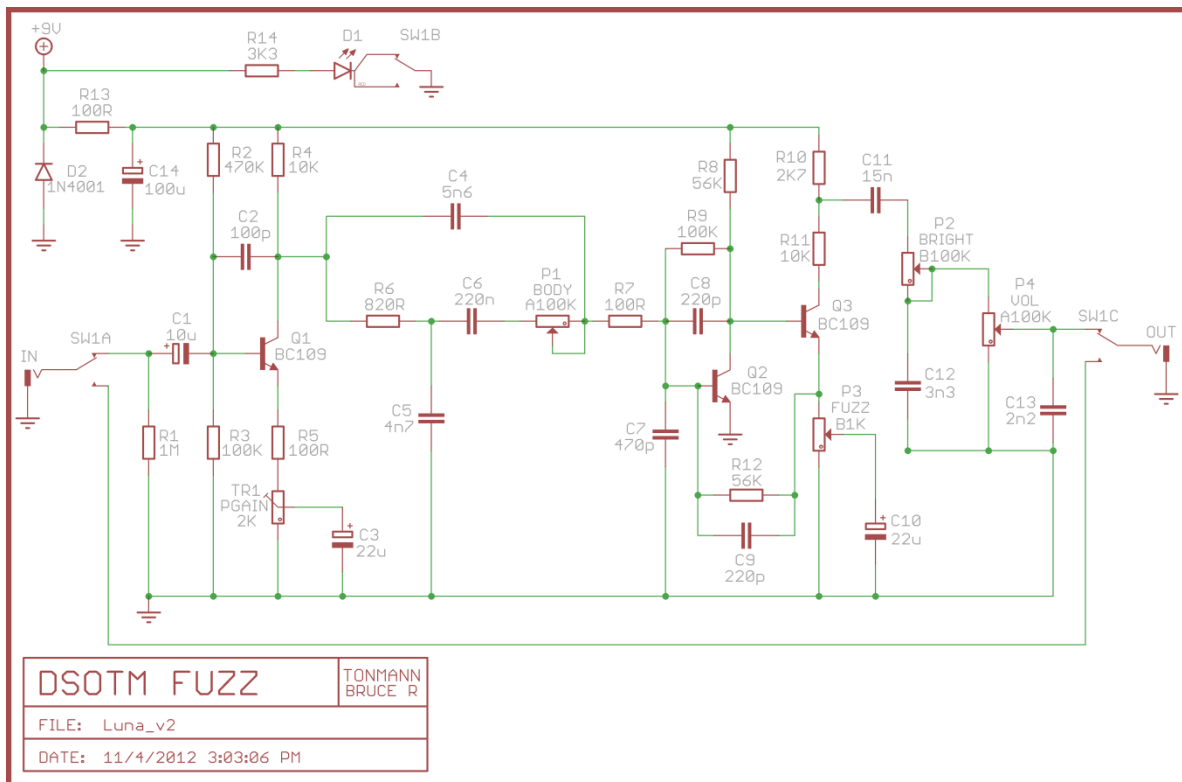
This updated PCB from www.guitarpcb.com includes a few modifications from the original circuit on which it is based. The previous version of this board was sold as the "Luna Fuzz." This re-designed board fits easily into a 1590B enclosure.

Board Dimensions (W x H): 1.78" x 1.58" i.e.: 45.2 x 40.1mm



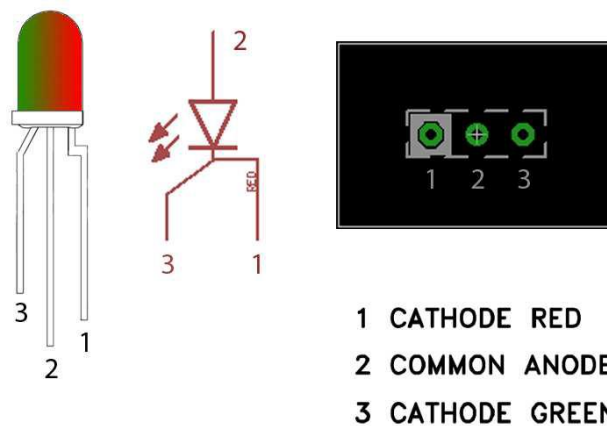
Part	Value
R1	1M
R2	470K
R3	100K
R4	10K
R5	100R
R6	820R
R7	100R
R8	56K
R9	100K
R10	2K7
R11	10K
R12	56K
R13	100R
R14	3K3
D1	Bi-Color LED Comm. Anode
D2	1N4001
TR1	2K
C1	10u
C2	100p
C3	22u

Part	Value
C4	5n6
C5	4n7
C6	220n
C7	470p
C8	220p
C9	220p
C10	22u
C11	15n
C12	3n3
C13	2n2
C14	100u
Q1	BC109
Q2	BC109
Q3	BC109
P1	A100K
P2	B100K
P3	B1K
P4	A100K
SW1	3PDT



STATUS LED

D1 is a common anode bi-color LED



The diagram above shows the pin-out, schematic symbol and pad connection for a common anode LED. The pin-out for the bi-color LED is as follows:

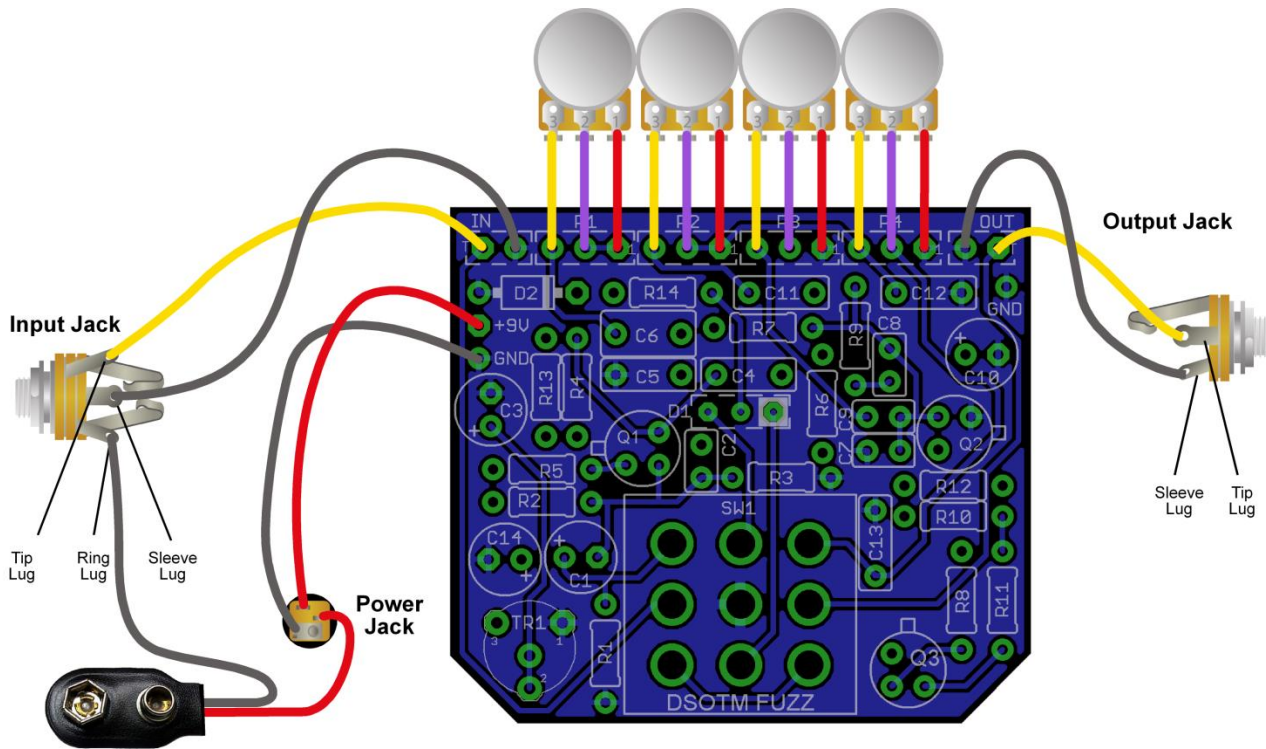
1st Color Cathode	90 degree bend in the lead
Common Anode	Middle lead
2nd Color Cathode	45 degree bend in the lead

The pad for lead 1 on the circuit board is marked with a white box.

When connected correctly the LED will light red when power is applied and the circuit is in bypass mode. The LED will light green when in effects mode.

If you wish to use a standard LED, connect the anode to pad 2 and the cathode to pad 3 to show the circuit in effects mode. Pad 1 is surrounded by a white box printed on the PCB.

Wiring Diagram



This document, PCB Artwork and Schematic Artwork © GuitarPCB.com. Version 1 Schematic and PCB design by DCountry13. Version 2 Schematic (based on version 1) and v2 PCB by Bruce R. Use of PCB and schematic artwork for any purpose other than to build a board purchased from GuitarPCB.com without written permission is prohibited. Distribution of this document is also prohibited without written consent from GuitarPCB.com.